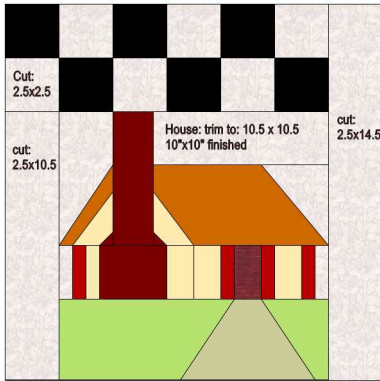


February

2026 CVQG Block of the Month Mystery

Section #1 – Honeymoon Cottage

EQ Location: Contemporary Pieced/Houses

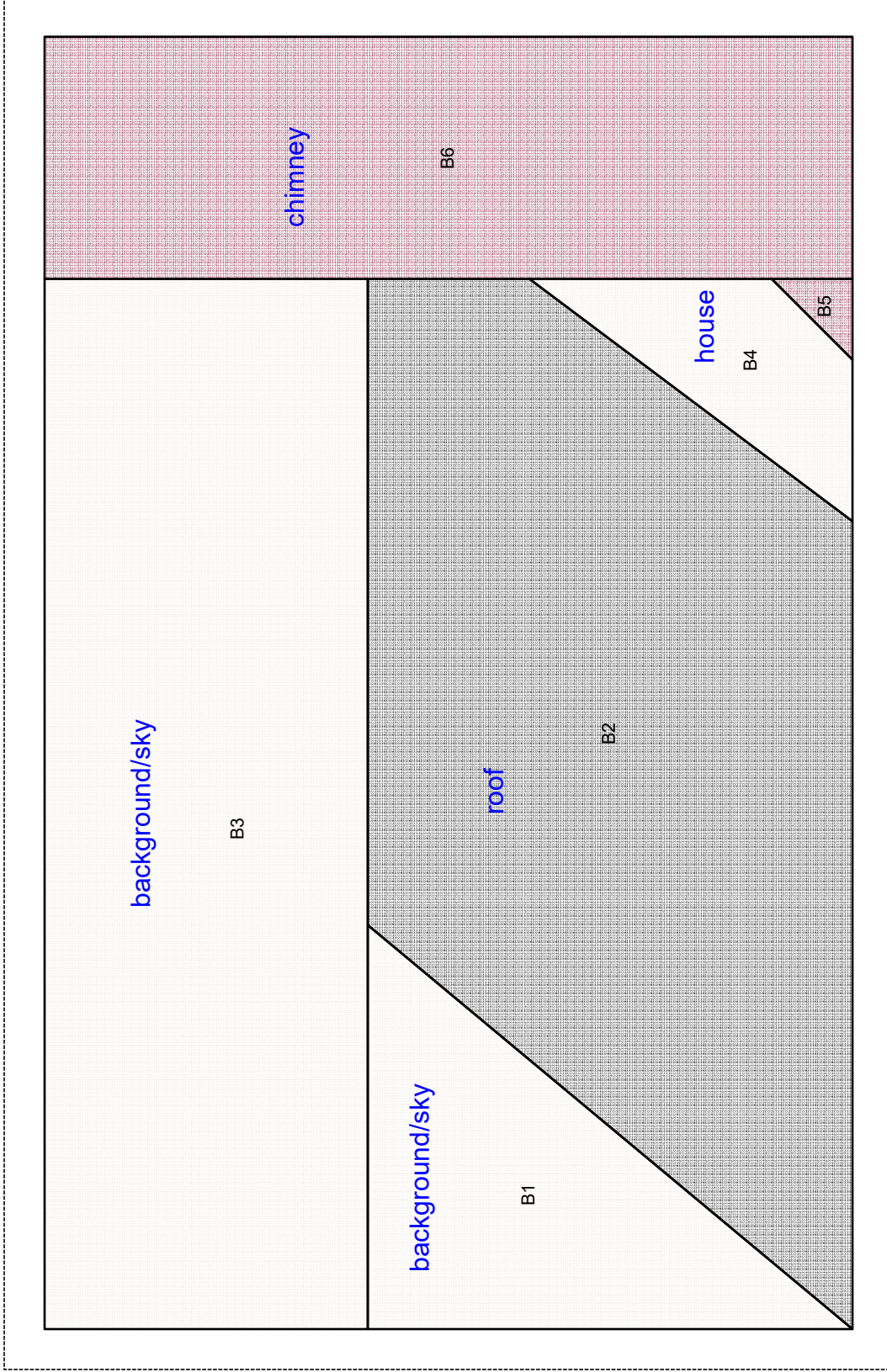


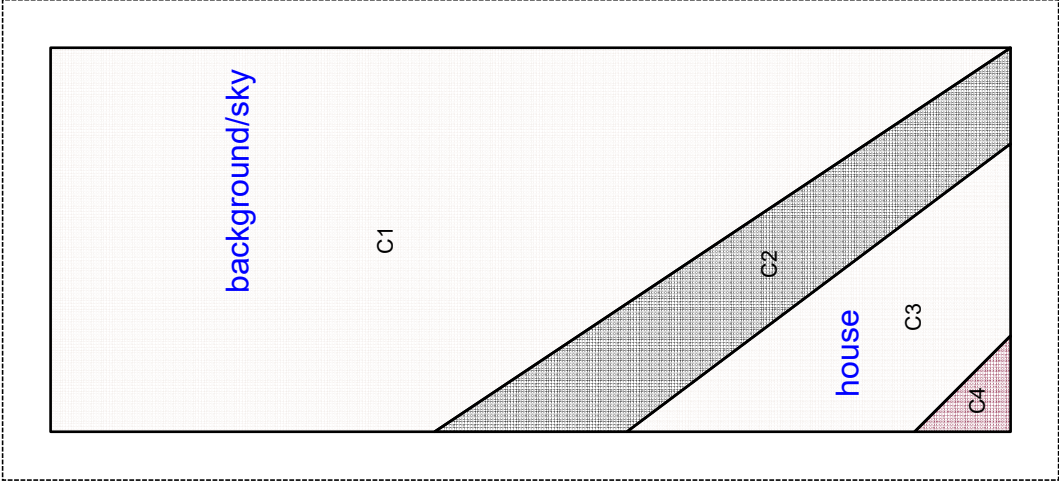
Construction:

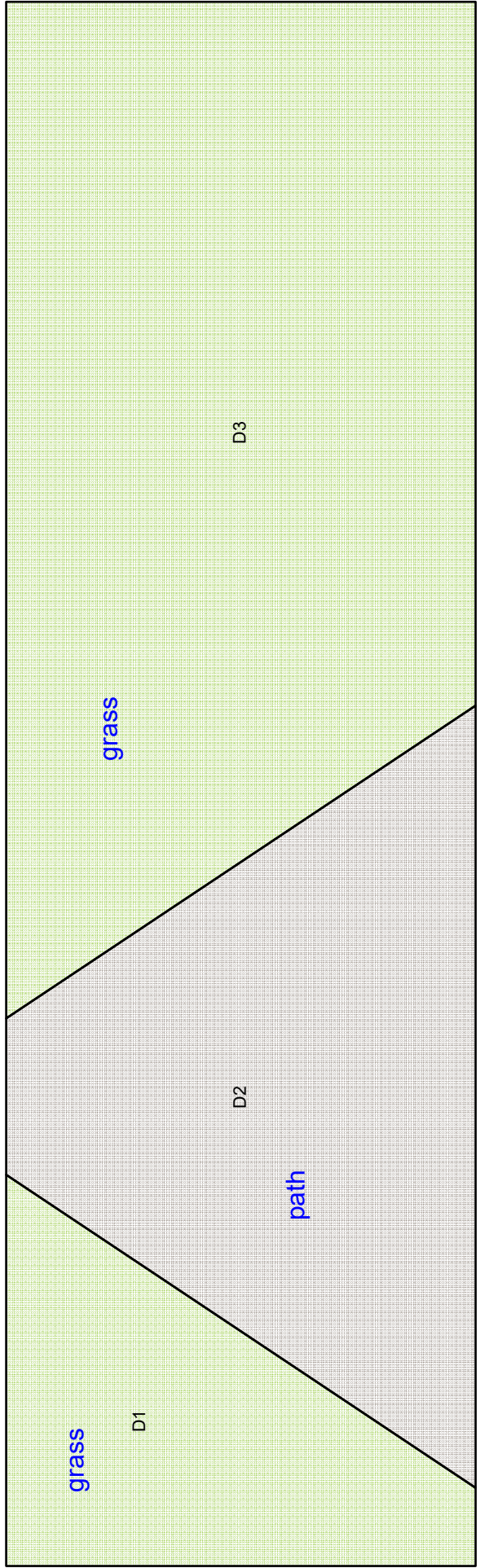
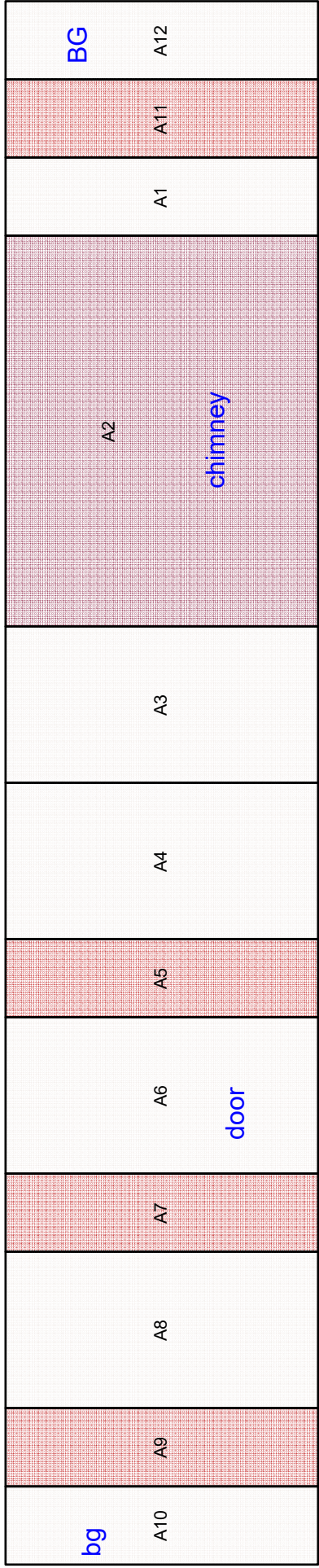
- Make 3 – **4.5” unfinished** four patch units using your stash and the background fabric. Sew together to make one unit measuring 4.5” x 12.5”. Use your favorite method of construction.
- Cut two strips of background
 - 2.5” x 10.5”
 - 2.5” x 14.5”
- Construct the “Honeymoon cottage” using either foundation paper piecing or templates. Foundation pieces are available on the CVQG website. If you prefer to use templates, they are available, also. Square the **house block** to 10.5” x 10.5”.
- Sew the **2.5” x 10.5”** background strip to the left side of the house block.
- Sew the **4.5” x 12.5” 4 patch** unit to the top of this section.
- Sew the **2.5” x 14.5”** strip to the right side of this unit.
- Square the section to **14.5” X 14.5” (unfinished size)**
- Finished size is 14” when sewn into the top.

Note: *There will be nineteen (19) 4.5” unfinished – four patch units and ten (10) 2.5” x 4.5” (unfinished) – two patch units used as fillers thru out the top. Do not sew together. Keep the 4 patches and two patches as units. You may make ahead using your stash. They should be high contrast and can be the same two fabrics or a scrappier look using light/dark. Your choice, your quilt.*

Honeymoon Cottage







Honeymoon Cottage

Key Block (17/50 actual size)

